

Dual 1.5A Line Switch with Low On-Resistance

DESCRIPTION

The EUP3506 contains two independent low dropout line switches with ON/OFF control, output current soft-start and output current protection.

By connecting the EUP3506 to the output pins of two step-down DC/DC converters, the EN1/EN2 pins control ON/OFF for each distribution switch to deliver power per requirements and maximize total power efficiency. As a result, the EUP3506 helps to same system power and extend battery life.

When a low signal is inputted to the EN pin, each switch enters shutdown mode. Even a load capacitor is connected to the output pin during shutdown, the electric charge stored at the load capacitor is discharged through the internal switch. As a result, the VOUT pin voltage falls quickly to the GND level. Externally programmable soft-start allows proper power on sequencing with respect to other power supplies and avoids input inrush current during startup.

Other features include current limit protection and thermal shutdown protection.

FEATURES

- Dual 100mΩ P-channel MOSFET
- 2.5V to 5.5V Input Voltage Range
- Low Shutdown Current : <math><1\mu\text{A}</math>
- ON/OFF Control on Each Channel
- High Speed Auto Discharge
- Output Current Soft-start
- Output Current Limit on Each Channel
- Thermal Shutdown
- Available in 3mmx3mm TDFN-10 Package
- RoHS Compliant and 100% Lead (Fb)-Free
- Halogen-Free

APPLICATIONS

- Portable Equipment
- Laptop, Palmtops, Notebook Computers
- LCD Monitor TV

Typical Application Circuit

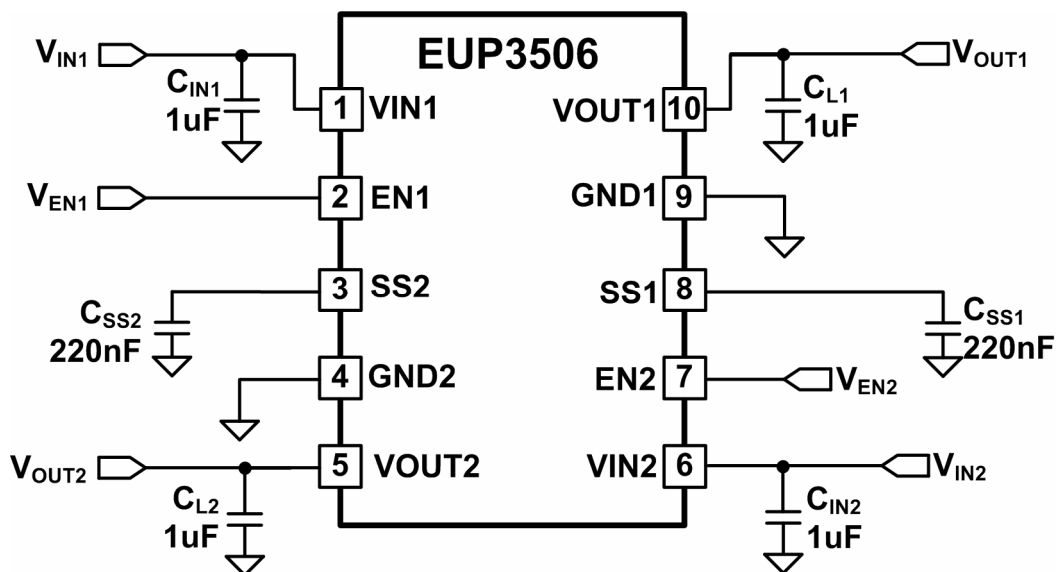


Figure 1.